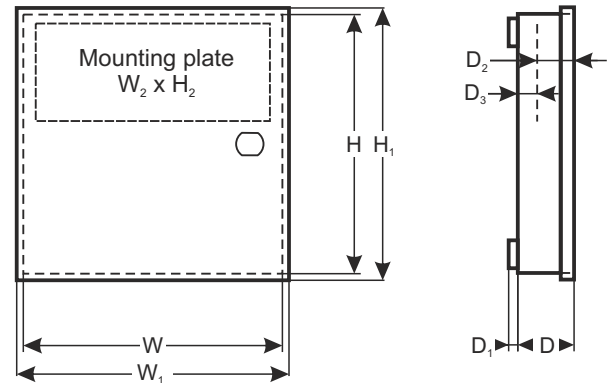


CODE: **AWO220K** v.1.1/III
 NAME: **Enclosure 17/TRP40/DSPR/S/**
two-level



APPLICATION

DSC: (PC 1404, 1616, 1832, 1864,4020) + 5108 (4108, 5208, 5100, 4116)
MODULES: (PC 5204, 5400, 5580, 5200, 4216,4204) + (5108, 5208, 4108, 5100, 4116)

PARADOX: (E55, E65, 728ULT, EVO48, EVO192, SP4000, SP5500, SP6000, SP7000) + Z X 8 (Z X 4, HUB2, PGM4)

RISCO: PRO24 of 17 Ah
 PRO116, 128, 140 of 7Ah

SATEL: CA4V1, CA5, CA6
 (VERSA 5, 10, 15, CA10) + CA10E (CA64E, SM, MST1)
 (INTEGRA 24, 32) + CA64E (SM)

MODULES: CA64 (PP, EPS, ADR, O-R, O-ROC, O- OC, OPS- OC, OPS- R, OPS- ROC, VGM- 16, SR, PTSA) + CA64E (SM)

COMMUNICATION MODULES: **GORKE** – ATG
ROPAM – BASIC and MULTI GSM
SATEL – ETHM, GSM LT1, LT2, GPRS-T1/T2/T4

PYRONIX: MATRIX 424, 6, 816, 832, 832+

CROW: RUNNER 4,8

TEXECOM: PREMIER 412, 816, 832, 48, 88, 168, 640

TELMOR: TCA- 824 + TEX800

ROGER: PR402, CPR 32-SE

EBS: PX 202A

PULSAR: MS1012, MSR1012, MSRK1012
 MS2012, MSR2012, MSRK2012

TECHNICAL PARAMETERS

External dimensions of the enclosure: W=350, H=350, D+D1=140+8 [+/- 2mm]

External dimensions of the front panel: W₁=355, H₁=355 [+/- 2mm]

Mounting plate dimensions: W₂=310, H₂=135 [+/- 2mm]

Working depth 1/2: D₂=62, D₃=75 [+/- 2mm]

Weight net/gross: 5,55kg / 6,00kg [+/-0,1kg]

Space for battery: 17Ah/12V Sealed Lead Acid (SLA)

Transformer: TRP 40VA/16V/18V in enclosure PC/ABS class UL94-V0, IP30

Supply: 230V/AC (-15%/+10%), 50Hz, 200mA (max.)

Power output: U1=16V/AC or U2=18V/AC (-5%, +15%), I1=2,2A or I2=2,0A (max.)

Operating environment: class II, -10°C+ 40°C

Material description: sheet metal DC01, 0,7mm thick, rust protection, colour: RAL 9003

Destination: Indoor

Tamper protection: 1 x microswitch: opening enclosure, 0,5A@50VDC max. NC- normally closed contacts

Closing: screwed x 2

Notes: lock assembly possible, distance from the wall (mounting surface) - 8mm

Declaration, warranty: CE, 2 year from the production date