

//DATASHEET

SALTO XS4 PPD Contactless | Access control management tools

XS4 is the new access control platform from SALTO enabling users to control and manage a greater range of applications than ever before. To perform routine tasks such as editing new user keys, setup the access control plan, run diagnostics on offline devices, or perform emergency openings in extreme situations and more, SALTO has developed a useful range of tools to make such tasks easier and faster.

SALTO ENCODER ECxxxx

SALTO
inspired**access**



XS4
by S A L T O

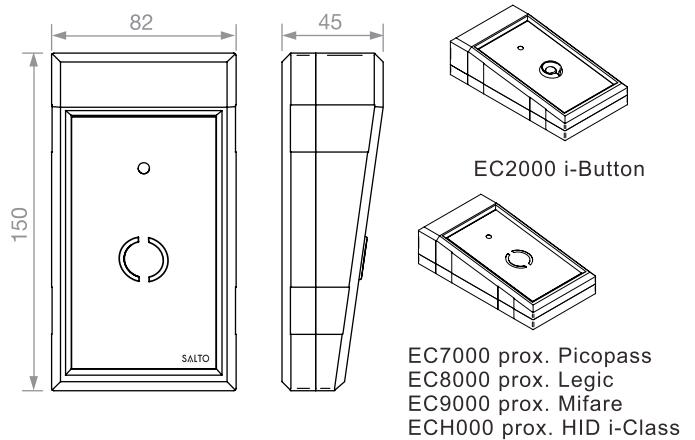
ACCESS CONTROL MANAGEMENT TOOLS

XS4 SALTO ENCODER

The SALTO key encoder range, is designed to make ID carrier encoding simple and fast. Its compact design permits easy location of the encoder on the desk and reduces the time taken for reading, encoding or updating cards.

XS4 ENCODER:

ECxxx- SALTO ENCODER



MAIN FEATURES:

- **Initialize the locks:** The PPD permits to assign the basic data to each lock during the system set up, programming the information necessary for the start up.
- **Read Key:** Reads the information held in the card (username, issuing date, expiry date, available memory, the access plan data, and other kinds of information such as information on tracks, ROM code, etc).
- **Card encoding:** Allows you to issue or encode the user key cards, assign the user access profile information on card, and program the card with latest cancelled key card black list (SVN).
- **Delete Key:** The encoder can also remove all the information contained on the card allowing a card to be reused, reducing the structural costs of the system.
- **Key updating:** This function allows the updating all of the information on any ID carrier, such as adding the latest information concerning the user access profile. Moreover, during the update, the cancelled key black list is recorded/updated on card and the access events made by the user collected in order to be downloaded into the pc for analyse.
- **Doongle:** The encoder on it's ethernet version, can act as a doongle, in order to permit to encapsulate the data in order to use it on services as JustIN mSVN, JustIN Mobile or integrations.

TECHNICAL DATA:

- Dimension: 150mm x 82mm x 150mm.
- Weight: 420Grms.
- Power supplied: 12V / 500mA 6VA (supplier included), or through USB port (depending the model).
- Connection to the PC:
 - USB on models ECx0USB
 - TCP/IP on models ECx0EN
- Managed directly from the PC

CERTIFICATES:

EC2000 (i-Button version)

- EN 55022 (1994), class B
- EN 61000-6-1 (2001)
- EN 61000-6-2 (1999)

EC7000, EC8000, EC9000, EH000 (RFID versions)

- Use of radio frequency spectrum
 - EN 300330-1 V1.3.2 (2002-12)
 - EN 301 489-1 (2002)
 - EN 301 489-3 (2002)
- Security requirements
 - EN 60950
- Electromagnetic Compatibility
 - EN 55024 (1998)
 - EN 61000-6-1 (2001)
 - EN 61000-6-2 (2001)
 - EN 61000-4-2 (1995)
 - EN 61000-4-3 (1995)

OPERATING TEMPERATURES:

- .0°C /70°C'