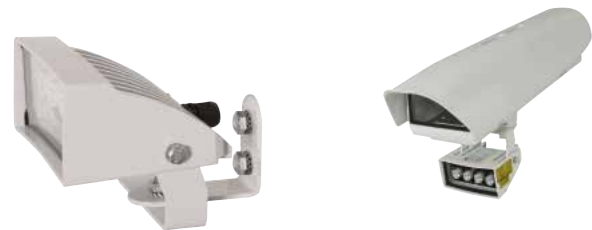


# GEKO IRH

LED ILLUMINATOR



GEKO IRH WHITE LIGHT

HOV + OSUPPIR + GEKO IRH

## DESCRIPTION

The GEKO lights the entire scene evenly, eliminating hotspots and underexposures, for unbeatable night-time images and secure surveillance of the area.

The high efficiency heat sink body ensures maximum LED durability and protection against over-temperatures, whereas the front glass, made of special technopolymer, provides high infrared transmittance.

The GEKO illuminators are protected against electrostatic discharges.

The illuminators can be powered at 12Vdc to 24Vdc or at 24Vac.

The power supply in a waterproof box, in 230Vac or 120Vac version, is available as an accessory for one or two GEKO illuminators.

GEKO is supplied with a wall-mount bracket that rotates horizontally and vertically and can be assembled in a housing by means of the OSUPPIR bracket.

*The GEKO infrared illuminator guarantee is 5 years, while for GEKO with the white light is 2 years.*

## MAIN FEATURES

High efficiency ultimate SMD LED technology

High efficiency heat sink body to ensure maximum LEDs durability

Strong aluminium structure

Vandal-proof protection (IK10)

Beam pattern: 10°, 30°, 60°

Wavelengths: 850nm, 940nm, white light

Consumption: 6W or 12W

Adjustable built-in photocell

VOLT free relay contact for external activation

It can be mounted under a housing using the OSUPPIR bracket

Supplied with a wall-mount bracket

IP66/IP67

## TECHNICAL DATA

### GENERAL

Die cast aluminum body

Supplied complete with horizontal and vertical rotating support in painted galvanized steel

Wavelengths: 850nm, 940nm, white light

### MECHANICAL

Dimensions: 133x112x135mm (5.2x4.4x5.3in)

Unit weight: 0.9kg (2lb)

### ELECTRICAL

Supply voltage/Current consumption:

- From 12Vdc up to 24Vdc:  
1A max (high power 4 LED, 12Vdc), 0.5A max (high power 4 LED, 24Vdc) or 0.5A max (low power 2 LED, 12Vdc), 0.25A max (low power 2 LED, 24Vdc)
- 24Vac:  
0.5A max (high power, 4 LED) or 0.25A max (low power, 2 LED), 50/60Hz

State of the art SMD LED

Adjustable built-in photocell for automatic activation and deactivation

Input for activation by means of external dry contact

Supplied with multipole cable: 4x0.34mm<sup>2</sup> (22AWG), L=2m

### ENVIRONMENT

For indoors and outdoors installation

Operating temperature: From -40°C (-40°F) up to +60°C (140°F)

Relative humidity: from 5% up to 95%

## CERTIFICATIONS

Electrical safety (CE): EN60950-1, EN60950-22

Electromagnetic compatibility (CE): EN50130-4, EN55022 (Class A), FCC Part 15 (Class A)

Photobiological safety (CE): EN62471

IP protection degree (EN60529):

- IP66
- IP67

IK protection degree (EN62262): IK10

UL certification: cULus Listed, TYPE 4X

EAC certification

## ACCESSORIES

IRHPS230 Power supply for 2 GEKO IRH illuminators, IN 230Vac 50/60Hz - OUT 24Vac 30W

IRHPS120 Power supply for 2 GEKO IRH illuminators, IN 120Vac 50/60Hz - OUT 24Vac 30W

## BRACKETS AND ADAPTORS

OSUPPIR Support for 1 GEKO IRH illuminator under the housing (the combination between OSUPPIR and WBOVA2 wall mount is not compatible with the PUNTO housing)

## PACKAGE

Model Number	Weight	Dimensions (WxHxL)	Master carton
IRH10H8A	1.0kg (2.2lb)	23x10x16cm (9x3,9x6,3)	14

## GEKO IRH - BEAM PATTERN AND ACHIEVABLE DISTANCES FOR ONE ILLUMINATOR

Horizontal and vertical beam patterns	Maximum distance			
	850nm, low power	850nm, high power	940nm, high power	White light, high power
10°	100m (328ft)	140m (460ft)	100m (328ft)	–
30°	60m (197ft)	84m (276ft)	60m (197ft)	60m (197ft) <sup>1</sup>
60°	40m (131ft)	56m (184ft)	40m (131ft)	40m (131ft) <sup>1</sup>

<sup>1</sup> Achievable distances with camera in Day mode (colour image)

The distances and the performance depend on the camera/lens used and on the environmental conditions.

## GEKO IRH - CONFIGURATION OPTIONS

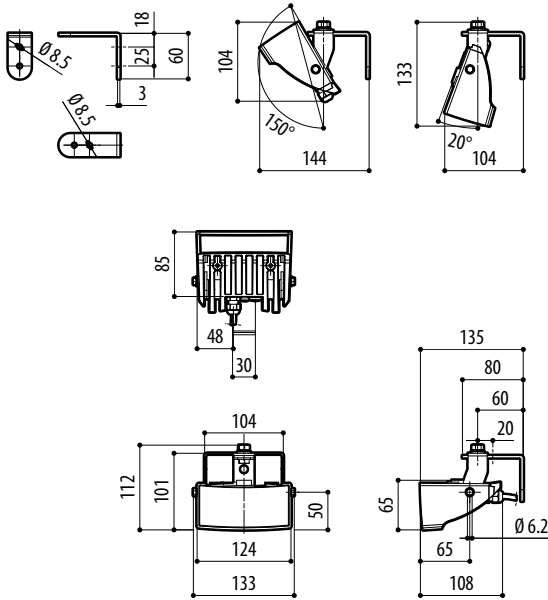
	Beam patterns	Power	Wavelength	
<b>IRH</b>	<b>10</b> Narrow	<b>H</b> High power	<b>8</b> 850nm	<b>A</b>
	<b>30</b> Medium	<b>L</b> Low power	<b>9</b> 940nm	
	<b>60</b> Wide		<b>W</b> White light	

The version in white light (W) is only available in high-power (H) with 30° or 60° beam patterns.

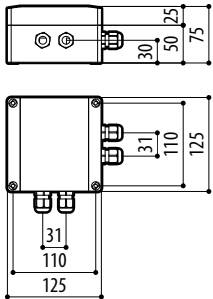
The versions in 940nm are available in high power (H).

## TECHNICAL DRAWINGS

The indicated measurements are expressed in millimetres.



GEKO IRH



IRHPS