

M8 Triple Pole Indoor Call Point

Changeover Contact Model

> Product Overview

KAC is the global leader in Call Points and has extended its comprehensive MCP indoor security range with a Triple Pole Call Point to complement the double and single pole variants.

Offering fast and simple installation, the M8 triple pole Call Point is ideal for use with security controlled locking systems, and provides a flexible solution for integrated systems which require greater functionality in the access control market.

The product comprises three change-over outputs which allow the call point to switch three separate circuits. To ensure failsafe unlocking of the exit it is considered best practice to cut both connections, positive and negative, to the magnetic door lock. This utilises 2 separate poles within the call point. The third pole provides additional flexibility to activate a local alarm or sounder or to connect to the building's security system.

KAC's M8 triple pole call point provides the building owner occupier with the confidence that they can ensure safe evacuation for all persons on the premises in the event of an emergency.



> Triple Pole Call Points - Benefits

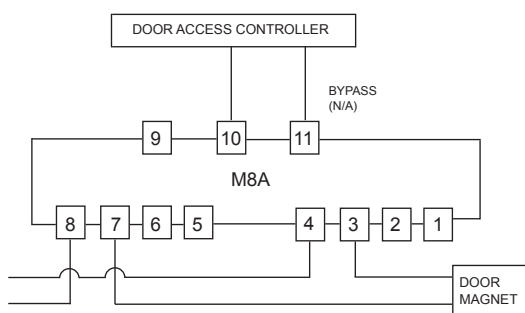
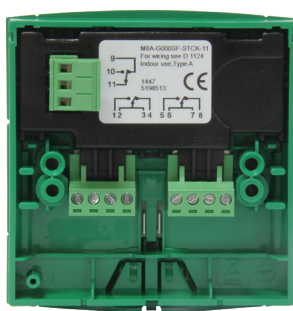
Simple, Fast, Flexible Installation

- Easy 'Plug & Play' installation
- Choice of operating element – flexi or glass
- Supplied with two function markings as standard

Quality, Performance, Reliability

- Single activation allows signal to three separate circuits
- High grade components maximise operational life
- Operates on 12V and 24V systems, making the range ideal for security applications.
- Suitable for indoor applications only
- Compatible with KAC accessories

Usage Example



NOTE:EXAMPLE ONLY.
ALL SWITCHES ARE CHANGE OVER

Device	Body/ Case Colour	Mounting Option	Operating Element	Function Marking	Environmental compliance
M8 Triple Pole Call Point	Green	Surface	Resettable - Plastic Flexible Element	Running Man & Emergency Door Release	RoHS/ WEEE
			Break Glass Element		



Triple Pole Call Point – Technical Specification

Mechanical Specification

Body colour:	Green, RAL6016
Cable Terminal Size:	0.5-2.5mm ²
Material:	
Body Case	PC/ABS
Operating element	Glass or polycarbonate
Gross Weight:	186g
Nett Weight:	160 g

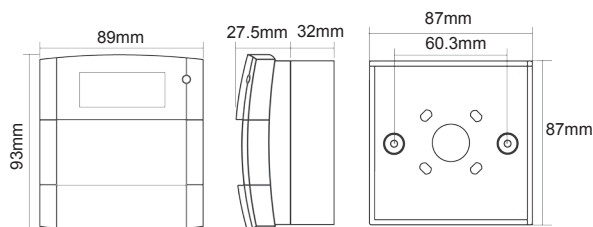
Electrical Specification

Operating Voltage:	12 to 30VDC
Average current consumption:	2A max

Environmental Specification

Operating Temperature:	-10°C to 55°C
Relative Humidity:	93% ±3% non condensing
Ingress Protection:	IP24D internal use only
For RoHS, WEEE information please see www.kac.co.uk	

Dimensions



Out of Box Contents

Triple Pole Call Point	Picture
Triple Pole Call Point, including back box	
Function Marking (quantity x 2)	
Installation Pack (quantity x 1)	
Installation data sheet	

Accessories:

Model	Part Number	Picture
Pack of 10 Test Keys	SC070	
Pack of 5 glass elements	KG1 X 5 (also available in packs of 10, 25 & 50)	
Flexible Operating Element	PS210	
Plain Hinged Cover	PS200	
SC071	Pack of 20 Terminal Blocks	

Order Information:

Code	Body / Case Colour	Mounting Option	Operating Element	Example Part No.
M8A	G=Green	S= Surface	F=Flexible	M8A-G000SF
			G=Glass	M8A-G000SG



> KAC Alarm Company Ltd KAC House, Thornhill Road, North Moons Moat, Redditch, B98 9ND, United Kingdom
Tel: +44 (0) 1527 406655 Fax: +44 (0) 1527 406677 e-mail: marketing@kac.co.uk

We reserve the right to amend the content of this document without prior notice.