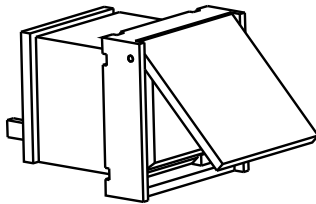


PVA-1EB PAVIRO Emergency button

www.boschsecurity.com



BOSCH
Invented for life



- ▶ Transparent cover – reliable method of preventing accidental actuation
- ▶ Installed LED – optical visualization with maximum efficiency and operational reliability
- ▶ Internal monitoring – the feed line is monitored for short-circuits and interruptions

The PVA-1EB is an optional button for installation in the PAVIRO call stations. For more information, see the call station documentation or IRIS-Net documentation.

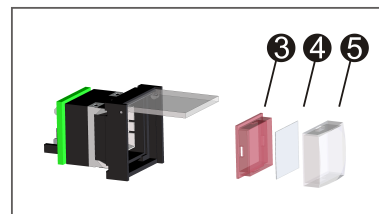
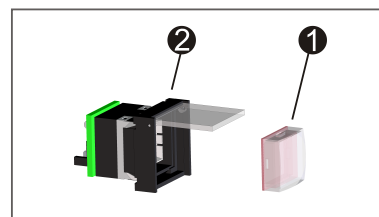
Certifications and approvals

EN 54-16: 2008

Installation/configuration notes

Labeling

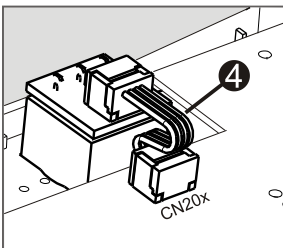
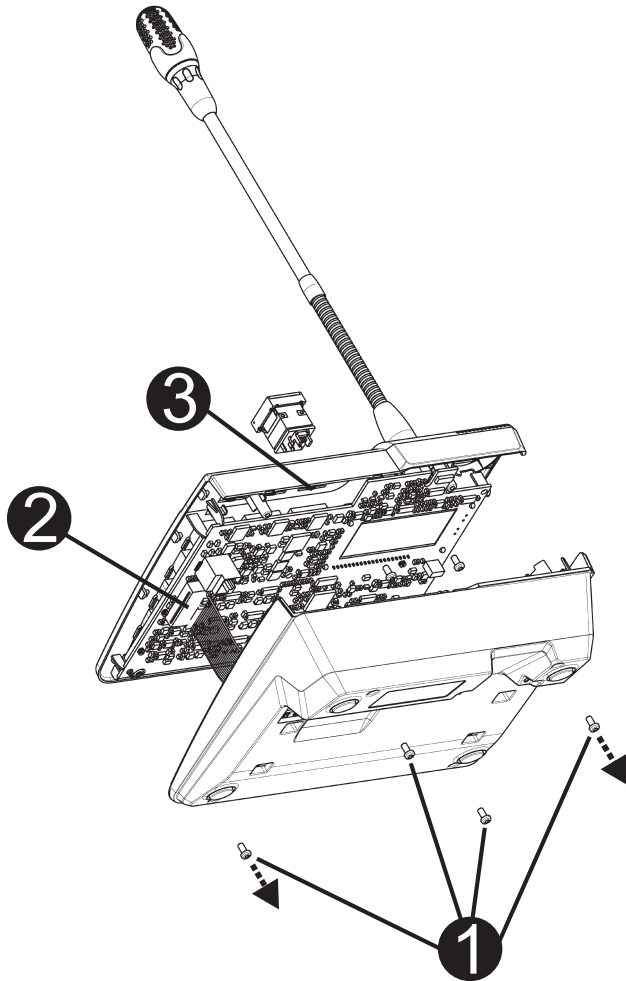
1. Remove button **1** from housing **2**
2. Remove red diffuser **3** from lens **5** using a sharp tool (such as a knife)
3. Label the film insert **4**
4. Re-assemble the button including the film insert and mount into the housing **2**



Assembly in call station

1. Disconnect the call station from all connectors
2. Unscrew the call station baseplate (4 screws **1**)
3. Carefully remove the baseplate from the upper part, start on the top left corner of the call station.
4. Unplug the connecting cable from the CN1 plug connector **2**
5. Prepare installation location **3**: Use a sharp object (scriber or similar) to carefully punch through and cut out the pre-cut rectangle on the inside of the housing. Perform any follow-up work that may be required to the installation location (e.g. filing, trimming)

6. Mount the button into the installation location, and press in evenly (it must be possible for the cover cap to open upward)
7. Depending on whether the right/middle/left installation location is used, plug the ribbon cable ④ into plug connector CN201/CN202/CN203 on the circuit board
8. Plug the connecting cable into CN1 again
9. Carefully re-attach the call station baseplate
10. Re-connect the connections
11. Configure the button using the software



Parts included

Quantity	Component
1	Button element with cover
1	Preconfigured 4-pin connecting cable
1	Installation note

Ordering information

PVA-1EB PAVIRO Emergency button

Order number **PVA-1EB**

Represented by:

Americas:

Bosch Security Systems, Inc.
12000 Portland Avenue South
Burnsville MN 55337, USA
Phone: +1-800-392-3497
Fax: +1-800-955-6831
audiosupport@us.bosch.com
www.boschsecurity.com

Europe, Middle East, Africa:

Bosch Security Systems B.V.
P.O. Box 80002
5617 BA Eindhoven, The Netherlands
Phone: + 31 40 2577 284
Fax: +31 40 2577 330
emea.securitysystems@bosch.com
www.boschsecurity.com

Asia-Pacific:

Robert Bosch (SEA) Pte Ltd, Security
Systems
11 Bishan Street 21
Singapore 573943
Phone: +65 6571 2808
Fax: +65 6571 2699
apr.securitysystems@bosch.com
www.boschsecurity.asia

China:

Bosch (Shanghai) Security Systems Ltd.
201 Building, No. 333 Fuquan Road
North IBP
Changning District, Shanghai
200335 China
Phone +86 21 22181111
Fax: +86 21 22182398
www.boschsecurity.com.cn

America Latina:

Robert Bosch Ltda Security Systems Division
Via Anhanguera, Km 98
CEP 13065-900
Campinas, Sao Paulo, Brazil
Phone: +55 19 2103 2860
Fax: +55 19 2103 2862
latam.boschsecurity@bosch.com
www.boschsecurity.com