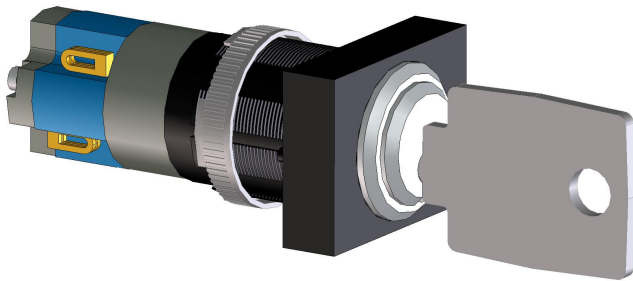


# PVA-1KS PAVIRO Key Switch

www.boschsecurity.com



**BOSCH**  
Invented for life



- ▶ EN 54-16
- ▶ Locks unauthorized Call Station use
- ▶ Supervised

The PVA-1KS is an optional key switch for installation in the PAVIRO call stations. The feed lines of the key switch are monitored for short-circuits and interruptions. For more information, see the call station manual.

## Certifications and approvals

EN 54-16: 2008

## Installation/configuration notes

### Assembly in call station

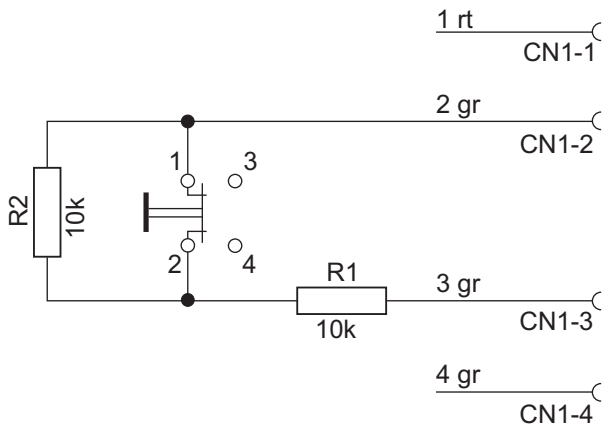
1. Disconnect the call station from all connectors
2. Unscrew the call station baseplate
3. Unplug the connection cable from the CN1 plug connector
4. Prepare the installation location. Use a sharp object (knife, scribe, or similar) to carefully punch through and cut out the pre-cut circle on the back housing. Perform any follow-up work that may be required to the installation location (e.g. filing, trimming)
5. Bore through the pre-cut side opening for the holding pin of the key switch cover
6. Align the switch and screw tightly in place with the supplied knurled screw
7. The supplied 4-pin cable and the resistors must be connected as shown in figure 2.1 or 2.2, depending on the intended purpose of the key switch.



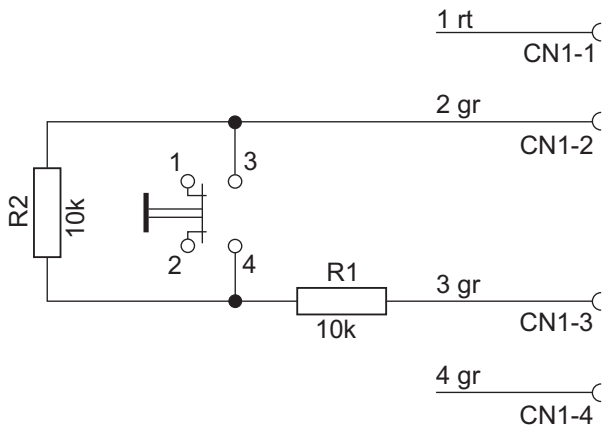
### Notice

Connect the key switch as shown in figure 2.1 (normally closed contact, NCC) to lock the call station via the key switch!

8. Note the connection sequence of the ribbon cable. The two external cables 1 (red) and 4 (green) must be cut as close to the cut-off point as possible and isolated. The two internal cables 2 (green) and 3 (green) must be soldered to switch connections 3 and 4. The polarity is not important.
9. Depending on whether the right/middle/left installation location will be used, plug the ribbon cable into plug connector CN201/CN202/CN203 on the circuit board
10. Plug the connecting cable into CN1 again
11. Re-attach the call station baseplate
12. Attach the connections
13. Configure the key switch in IRIS-Net



Connecting the key switch as normally closed contact (NCC) for key lock function



Connecting the key switch as normally open contact (NOC) for special purposes

### Parts included

Quantity	Component
1	Key switch
1	Preconfigured 4-pin connecting cable
2	Resistor 10 kΩ
1	Installation note

### Ordering information

**PVA-1KS PAVIRO Key Switch**  
Order number **PVA-1KS**

#### Represented by:

**Americas:**  
Bosch Security Systems, Inc.  
12000 Portland Avenue South  
Burnsville MN 55337, USA  
Phone: +1-800-392-3497  
Fax: +1-800-955-6831  
audiosupport@us.bosch.com  
www.boschsecurity.com

**Europe, Middle East, Africa:**  
Bosch Security Systems B.V.  
P.O. Box 80002  
5617 BA Eindhoven, The Netherlands  
Phone: + 31 40 2577 284  
Fax: +31 40 2577 330  
emea.securitysystems@bosch.com  
www.boschsecurity.com

**Asia-Pacific:**  
Robert Bosch (SEA) Pte Ltd, Security Systems  
11 Bishan Street 21  
Singapore 573943  
Phone: +65 6571 2808  
Fax: +65 6571 2699  
apr.securitysystems@bosch.com  
www.boschsecurity.asia

**China:**  
Bosch (Shanghai) Security Systems Ltd.  
201 Building, No. 333 Fuquan Road  
North IBP  
Changning District, Shanghai  
200335 China  
Phone +86 21 22181111  
Fax: +86 21 22182398  
www.boschsecurity.com.cn

**America Latina:**  
Robert Bosch Ltda Security Systems Division  
Via Anhanguera, Km 98  
CEP 13065-900  
Campinas, Sao Paulo, Brazil  
Phone: +55 19 2103 2860  
Fax: +55 19 2103 2862  
latam.boschsecurity@bosch.com  
www.boschsecurity.com