

GENERAL PURPOSE CAMERA HOUSINGS, BRACKETS



WBJA

WALL MOUNT BRACKET

Made of aluminium
Fully adjustable swivel head
Load rating: 25kg (55lb)
Length: 285mm (11.2in)



WBJA

WBMA

WALL MOUNT BRACKET

Made of aluminium
Fully adjustable swivel head
Load rating: 25kg (55lb)
Length: 204mm (8in)



WBMA

WBOVA2

WALL MOUNT BRACKET

Made of aluminium
Fully adjustable swivel head
Internal cable management
Load rating: 25kg (55lb)
Length: 204mm (8in)
The sealing rings OWBIP2 or OWBIP3 ensure an IP66 protection to the housing



WBOVA2

WBOV3A2

WALL BRACKET WITH SUPPORT PLATE AND WEATHERPROOF JUNCTION BOX

Made of aluminium
Internal cable management directly to the box
Load rating: 25kg (55lb)
Length: 204mm (8in)
The sealing rings OWBIP2 or OWBIP3 ensure an IP66 protection to the housing



WBOV3A2

WBLA

WALL BRACKET FOR HG V

Solid, anticorrosive aluminium construction
Load rating: 70kg (154lb)
Length: 457.5mm (18,7in)



WBLA

WCM3A

CEILING MOUNT

Made of steel

Fully adjustable swivel head

Load rating: 15kg (33.5lb)

Length: 300mm (11.8in)



WCM3A

WCM4A2

CEILING MOUNT

Made of aluminium tube

Internal cable management

Load rating: 15kg (33.5lb)

Length: 412mm (16.2in)



WCM4A2

WCM5A

CEILING MOUNT

Made of aluminium

Load rating: 15kg (33.5lb)

Length: 412mm (16.2in)

500mm (19in) linear extension available with WCPMPA

Unit weight: 1.4kg (3lb)



WCM5A

WCPMPA

LINEAR EXTENSION FOR WCM4A2 AND WCM5A

It allows a 500mm (19in) extension



WCPMPA

WFWCA

PARAPET BRACKET

Made of aluminium

Fully adjustable swivel head

Load rating: 15kg (33.5lb)

Length: 185mm (7.3in)



WFWCA

DBHWGC

POLE MOUNT ADAPTOR

Made of steel

For pole diameters: from 210mm (8.3in) up to 225mm (8.8in)

To be combined with the reinforcing support plate WCPA

Load rating: 25kg (55lb) (static load)



DBHWGC

WCWA

CORNER MOUNT ADAPTOR

Made of steel

Load rating: 30kg (66lb)



WCWA

WSFPA

POLE MOUNT ADAPTOR

Made of aluminium

Load rating: 30kg (66lb)

For pole diameters: from 65mm (2.6in) up to 140mm (5.5in)



WSFPA

WCPA

REINFORCING SUPPORT PLATE FOR POOR CONSISTENCY WALLS

Made of aluminium

Available with a supporting box with internal cable channel

Load rating: 50kg (110lb)



WCPA

NXWTU

WALL ADAPTOR MODULE

Made of AISI 316L electropolished stainless steel

Load rating: 20kg (44lb) (static load)

Dimensions: 168x234mm (6.6x9.2in)

Suitable for: NXWBS1, WBOVA2, WBJA, WBMA



NXWTU

TECHNICAL DATA

WBJA

MECHANICAL

Made of aluminium
Fully adjustable swivel head
Load rating: 25kg (55lb)
Length: 285mm (11.2in)
Unit weight: 0.6kg (1.3lb)

PART NUMBER

WBJA Wall mount bracket

PACKAGE

Model Number	Weight	Dimensions (WxHxL)	Master carton
WBJA	0.7kg (1,5lb)	7.5x12x31cm (3x5x12in)	20

WBMA

MECHANICAL

Made of aluminium
Fully adjustable swivel head
Load rating: 25kg (55lb)
Length: 204mm (8in)
Unit weight: 0.5kg (1.1lb)

PART NUMBER

WBMA Wall bracket with ball joint

PACKAGE

Model Number	Weight	Dimensions (WxHxL)	Master carton
WBMA	0.6kg (1.3lb)	7.5x12x23cm (3x4.7x9in)	25

WBOVA2

MECHANICAL

Made of aluminium
Fully adjustable swivel head
Internal cable management
Load rating: 25kg (55lb)
Length: 204mm (8in)
The sealing rings OWBIP2 or OWBIP3 ensure an IP66 protection to the housing
Unit weight: 0.6kg (1.3lb)

PART NUMBER

WBOVA2 Wall bracket with internal cable channel

PACKAGE

Model Number	Weight	Dimensions (WxHxL)	Master carton
WBOVA2	0.7kg (1,5lb)	8.5x13x22cm (3.3x5x9in)	25

WBOV3A2

MECHANICAL

Made of aluminium
Internal cable management directly to the box
Load rating: 25kg (55lb)
Length: 204mm (8in)
The sealing rings OWBIP2 or OWBIP3 ensure an IP66 protection to the housing
Unit weight: 2.4kg (5.3lb)

PART NUMBER

WBOV3A2 Wall bracket with internal cable channel, counterplate and support box, not compatible with OHEBVF1, OHEBVF2 and OHEBVF3

PACKAGE

Model Number	Weight	Dimensions (WxHxL)	Master carton
WBOV3A2	2.5kg (5.5lb)	11x19x53cm (4.3x7.5x21in)	-

WBLA

MECHANICAL

Solid, anticorrosion aluminium construction
Load rating: 70kg (154lb)
Length: 457.5mm (18,7in)
Unit weight: 6.6kg (14.5lb)

PART NUMBER

WBLA Bracket and ball joint in solid anticorrosion aluminium construction, RAL9002

PACKAGE

Model Number	Weight	Dimensions (WxHxL)	Master carton
WBLA	7kg (15.4lb)	27x18x49cm (10.5x7x19in)	-

WCM3A

MECHANICAL

Made of steel
Fully adjustable swivel head
Load rating: 15kg (33.5lb)
Length: 300mm (11.8in)
Unit weight: 1.8kg (4lb)

PART NUMBER

WCM3A Ceiling bracket with ball joint

PACKAGE

Model Number	Weight	Dimensions (WxHxL)	Master carton
WCM3A	2.1kg (4.6lb)	13x32.5x27cm (5x13x11in)	12

WCM4A2

MECHANICAL

Made of aluminium

Internal cable management

Load rating: 15kg (33.5lb)

Length: 412mm (16.2in)

500mm (19in) linear extension available with WCM5A

Unit weight: 1.3kg (2.8lb)

PART NUMBER

WCM4A2 Ceiling bracket with internal cable channel

PACKAGE

Model Number	Weight	Dimensions (WxHxL)	Master carton
WCM4A2	1.7kg (3.7lb)	10.5x37x37cm (4x14x14in)	6

WCM5A

MECHANICAL

Made of aluminium

Load rating: 15kg (33.5lb)

Length: 412mm (16.2in)

500mm (19in) linear extension available with WCM5A

Unit weight: 1.4kg (3lb)

PART NUMBER

WCM5A Ceiling bracket with ball joint

PACKAGE

Model Number	Weight	Dimensions (WxHxL)	Master carton
WCM5A	1.7kg (3.7lb)	10.5x37x37cm (4x14x14in)	6

WCM5A

MECHANICAL

It allows a 500mm (19in) extension

Unit weight: 0.5kg (1.1lb)

PART NUMBER

WCM5A Linear extension for WCM4A2 and WCM5A

PACKAGE

Model Number	Weight	Dimensions (WxHxL)	Master carton
WCM5A	0.6kg (1.3lb)	6x6x58.5cm (2x2x23in)	-

WFWCA

MECHANICAL

Made of aluminium

Fully adjustable swivel head

Load rating: 15kg (33.5lb)

Length: 185mm (7.3in)

Available extension through WFWBTA

Unit weight: 0.5kg (1.1lb)

PART NUMBER

WFWCA Column bracket with joint

PACKAGE

Model Number	Weight	Dimensions (WxHxL)	Master carton
WFWCA	1kg (2.2lb)	14.5x15x27cm (6x6x11in)	15

DBHWGC

MECHANICAL

Made of steel

For pole diameters: from 210mm (8.3in) up to 225mm (8.8in)

Load rating: 25kg (55lb) (static load)

To be combined with the reinforcing support plate WCPA

Unit weight: 1.2kg (2.6lb)

PART NUMBER

DBHWGC Pole adapter Ø 210mm, max 225mm (8.2in, max 8.9in). To be combined with the reinforcing support plate WCPA.

PACKAGE

Model Number	Weight	Dimensions (WxHxL)	Master carton
DBHWGC	1.5kg (3.3lb)	24x15x22cm (9x6x9in)	10

WCWA

MECHANICAL

Made of steel

Load rating: 30kg (66lb)

PART NUMBER

WCWA Corner mount adaptor

PACKAGE

Model Number	Weight	Dimensions (WxHxL)	Master carton
WCWA	1.1kg (2.2lb)	14.5x15x27cm (6x6x11in)	15

WSFPA

MECHANICAL

Made of aluminium

Allows the internal cable management

Load rating: 30kg (66lb)

For pole diameters: from 65mm (2.6in) up to 140mm (5.5in)

Unit weight: 0.9kg (2lb)

PART NUMBER

WSFPA Pole mount adaptor

PACKAGE

Model Number	Weight	Dimensions (WxHxL)	Master carton
WSFPA	1kg (2.2lb)	10x16x23cm (4x6x9in)	15

WCPA

MECHANICAL

Made of aluminium

Available with a supporting box with internal cable channel (WBOV3A2)

Load rating: 50kg (110lb)

Unit weight: 0.6kg (1.3lb)

PART NUMBER

WCPA Reinforcing support plate for poor consistency walls

PACKAGE

Model Number	Weight	Dimensions (WxHxL)	Master carton
WCPA	0.7kg (1.5lb)	10x16x23cm (4x6x9in)	30

NXWTU

MECHANICAL

Suitable for NXWBS1, WBOVA2, WBJA, WBMA brackets

Made of AISI 316L electropolished stainless steel

Load rating: 20kg (44lb) (static load)

Screws tightening torque: 20Nm

Dimensions: 168x234mm (6.6x9.2in)

Unit weight: 2.6kg (5.7lb)

PART NUMBER

NXWTU Wall adaptor module in stainless steel AISI 316L

PACKAGE

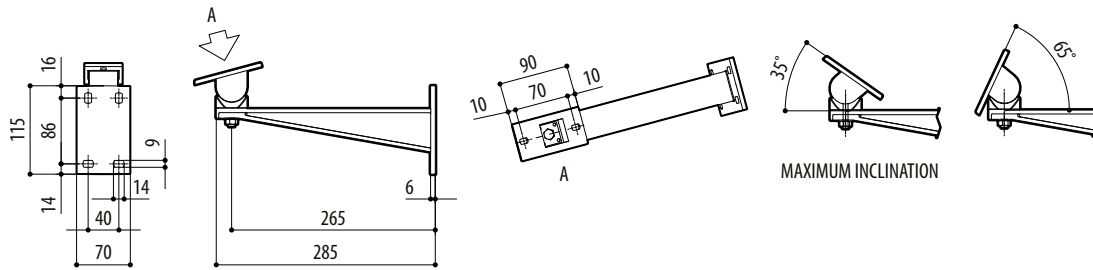
Model Number	Weight	Dimensions (WxHxL)	Master carton
NXWTU	2.8kg (6.2lb)	24x15x21cm (9.4x6x8.2in)	10

GENERAL PURPOSE CAMERA HOUSINGS, COMPATIBILITY HOUSINGS/BRACKETS

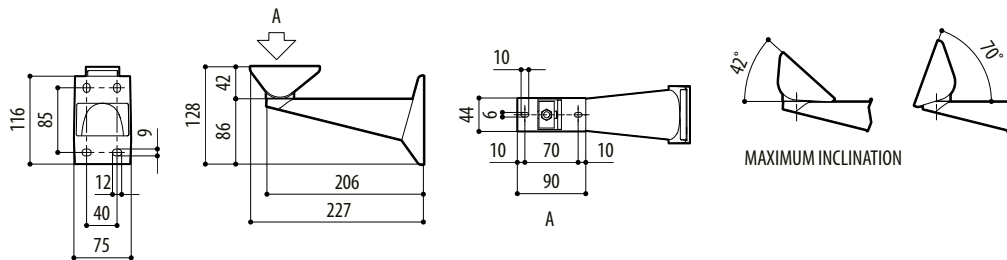
Bracket	Wall					Ceiling			Column	Pole mount adaptor		Corner mount adaptor	Support plate adaptor
	WBLA	WBJA	WBMA	WBOVA2	WBOV3A2	WCM3A	WCM4A2	WCM5A		FWCA	DBHWGC		
HOV	-	✓	-	✓	✓	✓	✓	✓	✓	✓	✓	✓	✓
HOV Hi-PoE IPM	-	✓	-	✓	✓	✓	✓	✓	✓	✓	✓	✓	✓
HTV	-	✓	-	✓	✓	✓	✓	✓	✓	✓	✓	✓	✓
PUNTO	-	✓	-	✓	✓	✓	✓	✓	✓	✓	✓	✓	✓
PUNTO Hi-PoE	-	✓	-	✓	✓	✓	✓	✓	✓	✓	✓	✓	✓
VERSO COMPACT	-	✓	✓	✓	✓	✓	✓	✓	✓	✓	✓	✓	✓
VERSO	-	✓	-	✓	✓	✓	✓	✓	✓	✓	✓	✓	✓
VERSO Hi-PoE IPM	-	✓	-	✓	✓	✓	✓	✓	✓	✓	✓	✓	✓
VERSO POLAR	-	✓	-	✓	✓	✓	✓	✓	✓	✓	✓	✓	✓
HEG	-	✓	-	-	-	-	-	✓	✓	✓	✓	✓	✓
HTG	-	✓	-	-	-	-	-	✓	✓	✓	✓	✓	✓
HEK	-	-	✓	✓	✓	✓	✓	✓	✓	✓	✓	✓	✓
HEB	-	✓	✓	✓	✓	✓	✓	✓	✓	✓	✓	✓	✓
HGV	✓	-	-	-	-	-	-	-	-	-	-	-	-

TECHNICAL DRAWINGS

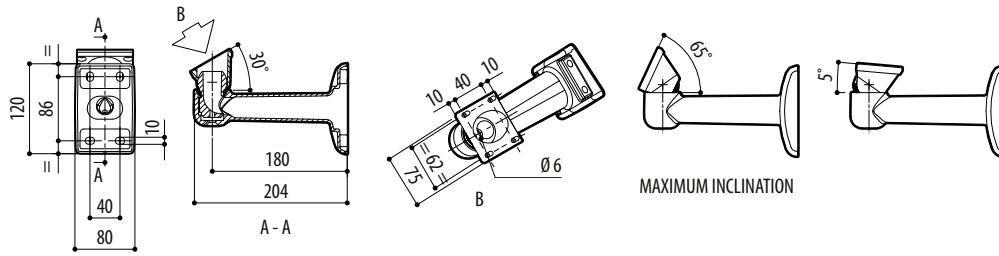
The indicated measurements are expressed in millimetres.



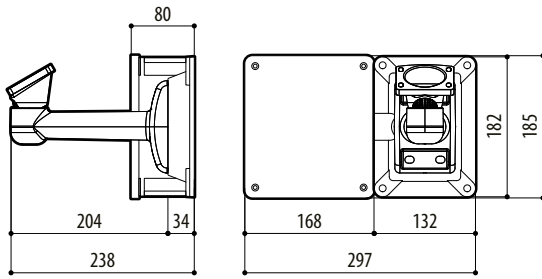
WBJA



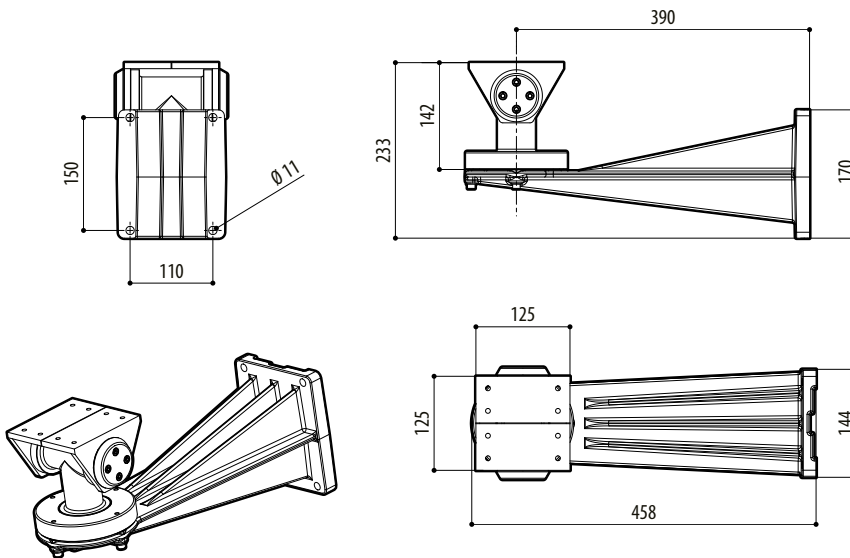
WBMA



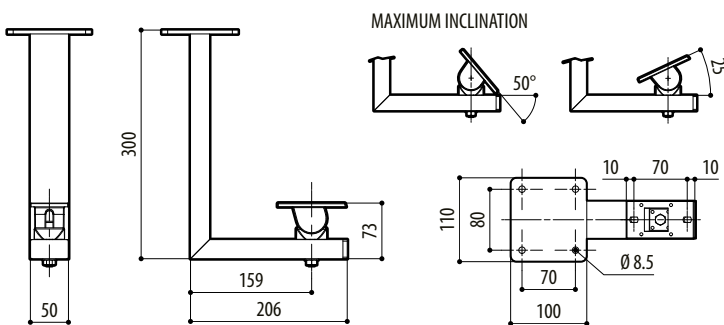
WBOVA2



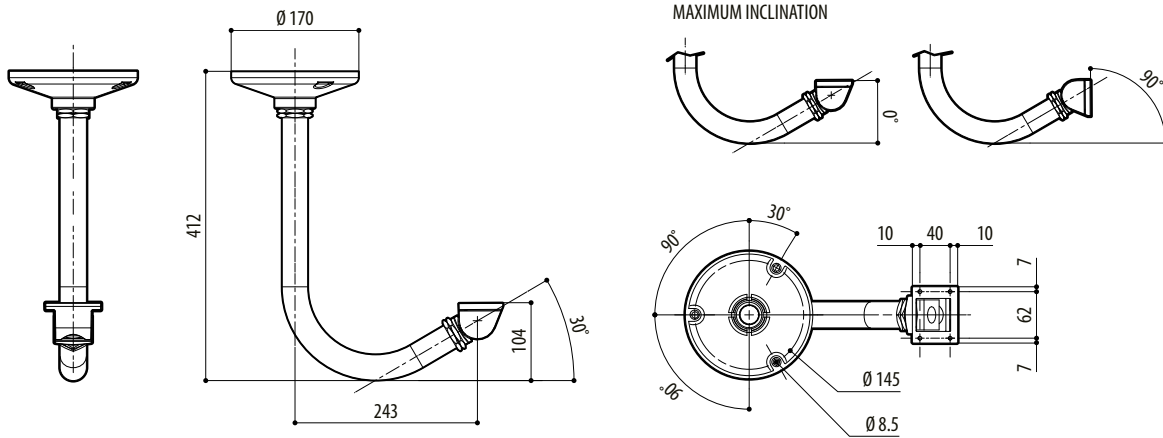
WBOV3A2



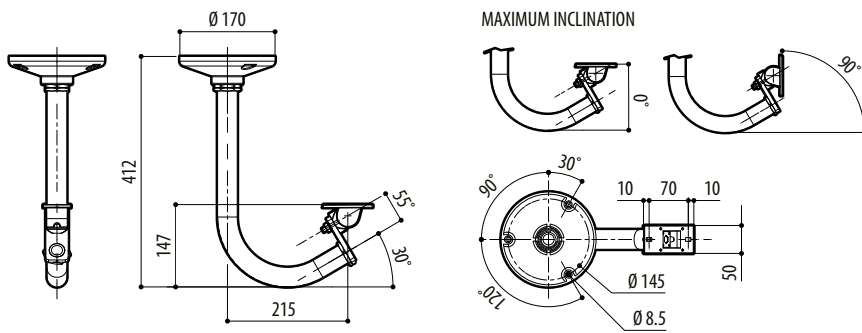
WBLA



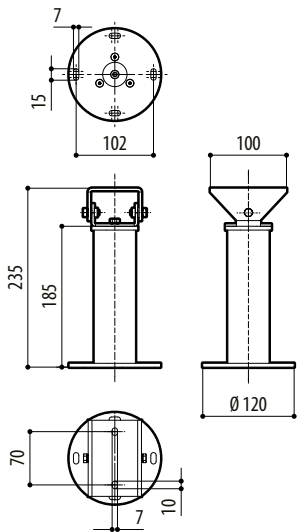
WCM3A



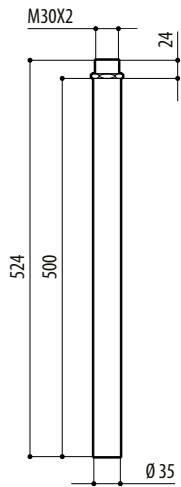
WCM4A2



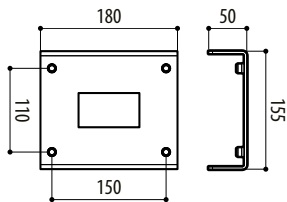
WCM5A



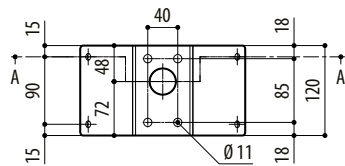
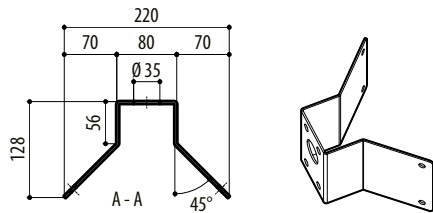
WFWCA



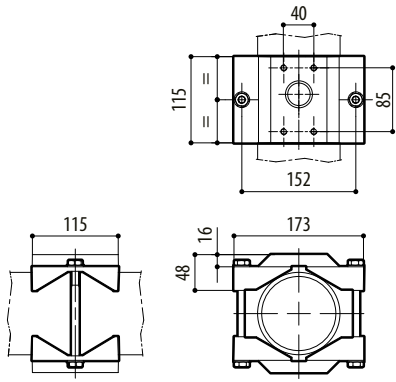
WCMPA



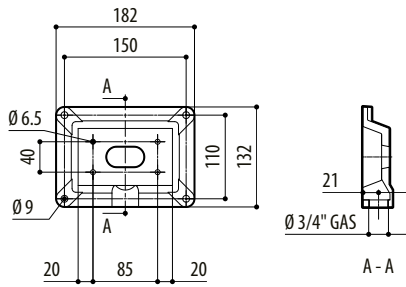
DBHWGC



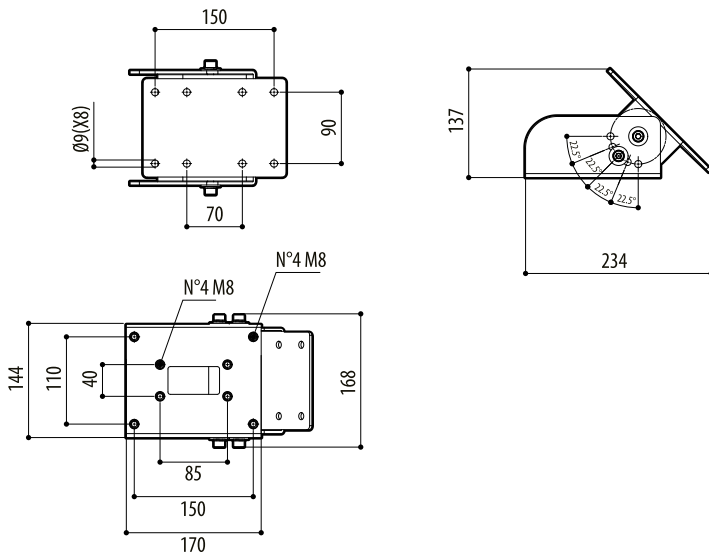
WCWA



WSFPA



WCPA



NXWTU