

XNO-6120R

2M Network IR Bullet Camera

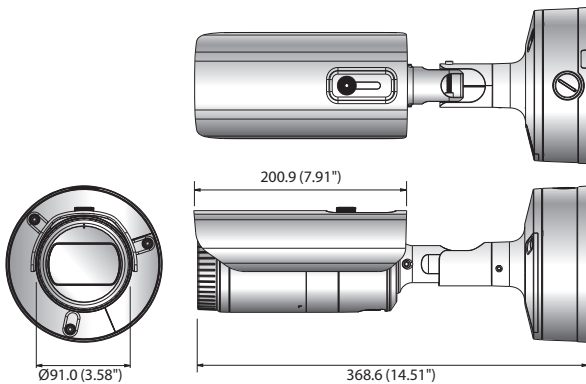


Key Features

- Max. 2Megapixel (1920 x 1080) resolution
- 5.2 ~ 62.4mm (Optical 12X) Optical Lens
- Max. 60fps@all resolutions (H.265 / H.264)
- H.265, H.264, MJPEG Codec Supported, Multiple streaming
- Day & Night (ICR), WDR (150dB), Defog
- DIS with built-in Gyro sensor
- Loitering, Directional detection, Fog Detection, Audio detection, Sound Classification, Tampering
- Motion Detection, Handover
- SD / SDHC / SDXC 2 Slot (Max. 512GB)
- Hallway View, WiseStreamII Support
- IR Viewable Length 70m (229.66ft), IP67 / IP66, NEMA 4X, IK10
- PoE, 24V AC, 12V DC, Bi-directional audio Support

Dimensions

Unit : mm (inch)



Accessories (Optional)



SBP-302PM

XNO-6120R

| | |
|--|---|
| VIDEO | |
| Imaging Device | 1/2.8" 2M CMOS |
| Total Pixels | 1,945(H) x 1,109(V) 2.16M |
| Effective Pixels | 1,945(H) x 1,097(V) 2.13M |
| Scanning System | Progressive |
| Min. Illumination | Color : 0.03 Lux (F1.6, 1/30sec), B/W : 0Lux (IR LED on) |
| S / N Ratio | 50dB |
| Video Out | CVBS : 1.0 Vp-p / 75Ω Composite, 720 x 480(N), 720 x 576(P), for Installation USB : Micro USB Type B, 1280 x 720, for Installation |
| LENS | |
| Focal Length (Zoom Ratio) | 5.2 ~ 62.4mm (Optical 12X) |
| Max. Aperture Ratio | F1.6(Wide) ~ F3.0(Tele) |
| Angular Field of View | H : 54.58°(Wide) ~ 5.30°(Tele) / V : 32.19°(Wide) ~ 3.00°(Tele) / D : 61.40°(Wide) ~ 6.06°(Tele) |
| Min. Object Distance | 1.5m (4.92ft) |
| Focus Control | Auto / Manual / One shot AF |
| Lens / Mount Type | DC Auto Iris / Board-in Type |
| OPERATIONAL | |
| IR Viewable Length | 70m (229.66ft) |
| Camera Title | Off / On (Displayed up to 85 Characters) - W/W : English / Numeric / Special Characters - China : English / Numeric / Special / Chinese Characters - Common : Multi-line (Max. 5), Color (Grey / Green / Red / Blue / Black / White), Transparency, Auto scale by Resolution |
| Day & Night | Auto (ICR) / Color / B/W / External / Schedule |
| Backlight Compensation | Off / BLC / HLC / WDR |
| Wide Dynamic Range | 150dB |
| Contrast Enhancement | SSDR (Off / On) |
| Digital Noise Reduction | SSNRV (2D + 3D Noise filter) (Off / On) |
| Digital Image Stabilization | Off / On |
| Defog | Off / Auto / Manual |
| Motion Detection | Off / On (8ea, 8Point polygonal zones), Handover |
| Privacy Masking | Off / On (32ea, Rectangle zones) - Color : Grey / Green / Red / Blue / Black / White - Mosaic |
| Gain Control | Off / Low / Middle / High |
| White Balance | ATW / AWC / Manual / Indoor / Outdoor (Included Mercury & Sodium) |
| Contrast | Level Adjustment |
| Electronic Shutter Speed | Minimum / Maximum / Anti Flicker (2 ~ 1/12,000sec) |
| Digital Zoom | 24x |
| Preset | 300ea |
| Rotate Image | Flip : Off / On, Mirror : Off / On, Hallway : 90° / 270° |
| Video & Audio Analytics | Tampering, Loitering, Directional detection, Defocus Detection, Fog Detection, Virtual Line, Enter / Exit, (Dis)Appear, Audio detection, Face detection, Motion detection, Sound Classification |
| Alarm I/O | Input 1ea / Output 1ea |
| Alarm Triggers | Alarm Input, Motion detection, Video & Audio Analytics, Network disconnect |
| Alarm Events | File Upload Via FTP, E-mail, Notification via e-mail, Local Storage (SD / SDHC / SDXC) or NAS recording at event triggers, External output, Preset |
| Pixel Counter | Support |
| NETWORK | |
| Ethernet | RJ-45 (10/100 BASE-T) |
| Video Compression Format | H.265 / H.264 (MPEG-4 part 10/AVC) : Main / Baseline / High, MJPEG |
| Resolution | 1920 x 1080, 1280 x 1024, 1280 x 960, 1280 x 720, 1024 x 768, 800 x 600, 800 x 448, 720 x 576, 720 x 480, 640 x 480, 640 x 360, 320 x 240 |
| Max. Framerate | H.265 / H.264 : Max. 60fps at all resolutions, MJPEG : Max. 30fps at all resolutions |
| Smart Codec | Manual Mode (Area-Based : 5ea) |
| WiseStreamII | Support |
| Video Quality Adjustment | H.265 / H.264 : MJPEG : Target bitrate level control |
| Bitrate Control Method | H.265 / H.264 : CBR or VBR, MJPEG : VBR |
| Streaming Capability | Multiple streaming (Up to 10 Profiles) |
| Audio In | Selectable (Mic in / Line in), Supply Voltage : 2.5V DC (4mA), Input Impedance : Approx. 2K Ohm |
| Audio Out | Line Out (3.5mm Mono Jack), Max Output Level : 1 Vrms |
| Audio Compression Format | G.711 u-law/G.726 Selectable, G.726 (ADPCM) 8KHz, G.711 8KHz G.726 : 16Kbps, 24Kbps, 32Kbps, 40Kbps, AAC-LC : 48Kbps at 16KHz |
| Audio Communication | Bi-directional (2-way) |
| IP | IPv4, IPv6 |
| Protocol | TCP/IP, UDP/IP, RTP (UDP), RTP (TCP), RTCP, RTP, NTP, HTTP, HTTPS, SSL/TLS, DHCP, PPPoE, FTP, SMTP, ICMP, IGMP, SNMPv1/v2c/v3 (MIB-2), ARP, DNS, DDNS, QoS, PIM-SM, UPnP, Bonjour |
| Security | HTTPS (SSL) Login Authentication, Digest Login Authentication IP address filtering, User access log, 802.1X Authentication (EAP-TLS, EAP-LEAP) |
| Streaming Method | Unicast / Multicast |
| Max. User Access | 20 Users at Unicast Mode |
| Edge Storage | SD / SDHC / SDXC 2Slot (Up to 512GB) - Continuous Recording (1st Slot to 2nd Slot) - Motion Images recorded in the SD / SDHC / SDXC Memory Card Can be Downloaded. NAS (Network Attached Storage), Local PC for Instant Recording |
| Application Programming Interface | ONVIF Profile S/G, SUNAPI 2.0 (HTTP API), Wisenet Open Platform |
| Webpage Language | English, Korean, Chinese, French, Italian, Spanish, German, Japanese, Russian, Swedish, Portuguese, Czech, Polish, Turkish, Dutch, Hungarian, Greek |
| Web Viewer | Supported OS : Windows 7, 8.1, 10, Mac OS X 10.10, 10.11, 10.12 Non-Plugin Web Viewer Supported Browser : Google Chrome 56, MS Edge 39, Mozilla Firefox 49 (Window 64bit only), Apple Safari 10 (Mac OS X only) Plug-in Web Viewer Supported Browser : MS Explore 11, Apple Safari 10 (Mac OS X only) |
| Central Management Software | SmartViewer |
| ENVIRONMENTAL | |
| Operating Temperature / Humidity | -40°C ~ +55°C (-40°F ~ +131°F) / Less than 90% RH * Start up should be done at above -35°C (-31°F) |
| Storage Temperature / Humidity | -50°C ~ +60°C (-58°F ~ +140°F) / Less than 90% RH |
| Ingress Protection / Vandal Resistance | IP67, IP66, NEMA 4X / IK10 |
| ELECTRICAL | |
| Input Voltage / Current | 24V AC, 12V DC, PoE (IEEE802.3af Class3) |
| Power Consumption | 24V AC : Max 14.5W, 12V DC : Max 12.5W, PoE : Max 12.95W |
| MECHANICAL | |
| Color / Material | Dark Gray / Aluminum |
| Dimensions (WxH) | Ø91.0mm x 368.6mm (Ø3.58" x 14.51") |
| Weight | 2.18Kg (4.81 lb) |

* The latest product information / specification can be found at hanwha-security.eu
* Design and specifications are subject to change without notice.